

A-10 Series RS-485 Remote IO Module

ATC remote RS-485 I/O module, support Modbus RTU/ASCII protocol, can be applied to the full range of ATC controller. And it also can communicate with other devices that support the Modbus RTU/ASCII protocol, host computer communication or remote command control. It can make the series of module work in Bus network and the I/O points can flexible expansion.

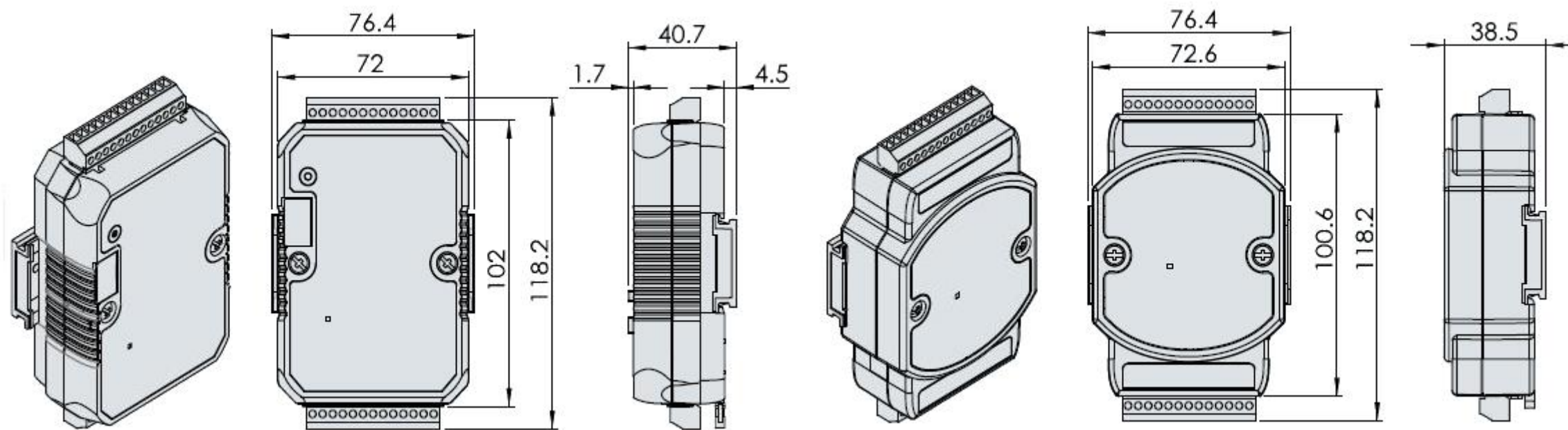


Part No.	A-1057	A-1058	A-1068	A-1069	A-1051	A-1055	A-1055S	A-1060
Operation Voltage	10 ~ 30VDC/24VAC	10 ~ 30VDC/24VAC	10 ~ 30VDC/24VAC	10 ~ 30VDC/24VAC	10 ~ 30VDC/24VAC	10 ~ 30VDC/24VAC	10 ~ 30VDC/24VAC	10 ~ 30VDC/24VAC
Inputs	—	—	—	—	16 Status Low: <1VDC Status High: >5~30VDC	8 Status Low: <1VDC Status High: >5~30VDC	8 Status Low: <1VDC Status High: >5~30VDC	8 Status Low: <1VDC Status High: >5~30VDC
Outputs	12, Source Transistor	12, Sink Transistor	8, Signal Relay	8, Power Relay	—	8, Sink Transistor	8, Source Transistor	4, Power Relay
Continuous Current	10 ~ 35VDC(1A)	10 ~ 40VDC (200mA)	120VAC(0.5A)/ 30VDC(1A)	250VAC(5A)/ 30VDC(1A)	—	10 ~ 40VDC (200mA)	10 ~ 35VDC(1A)	250VAC(5A)/ 30VDC(1A)
Communication Baud Rate	1200 ~ 115200bps							
Communication Interface	RS - 485							
Protocol	MODBUS RTU / MODBUS ASCII							
Data Bits	8 Bits							
Parity	Odd Parity / Even Parity / None							
Stop Bit	1/2 Bit							
Isolation	YES (5000VDC)							
Input Operating Frequency	10Hz							
Output Operating Frequency	Relay: 10Hz / Transistor: 10Hz							
Operation Temperature	-20 to +75℃							
Degree Of Protection	IP20							
Installation	35 mm DIN rail / Flush mounting							
Dimension (W×H×D)	76.4×118.2×38.5 mm							

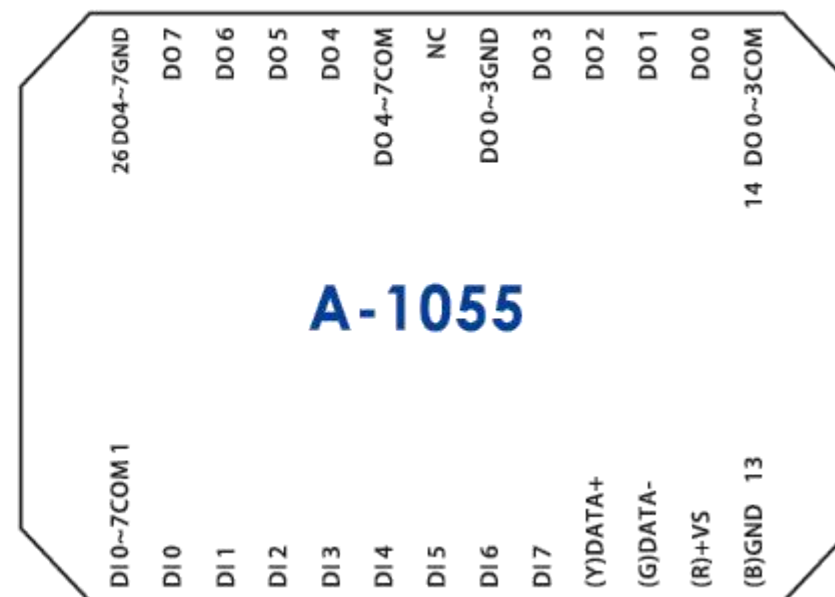
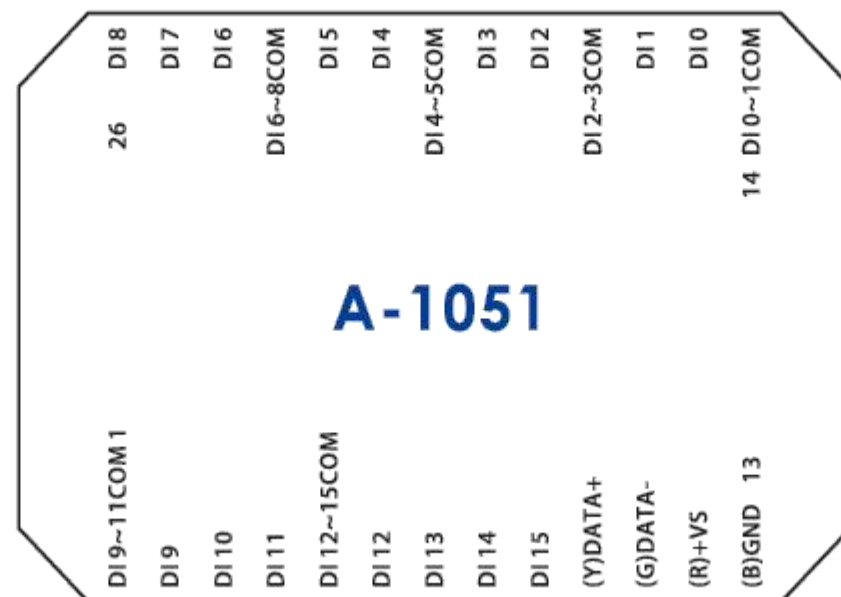
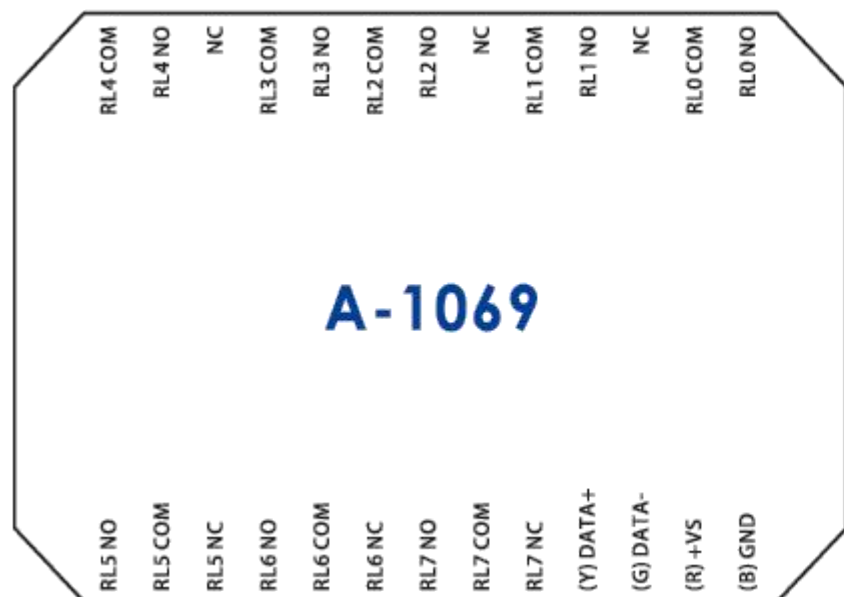
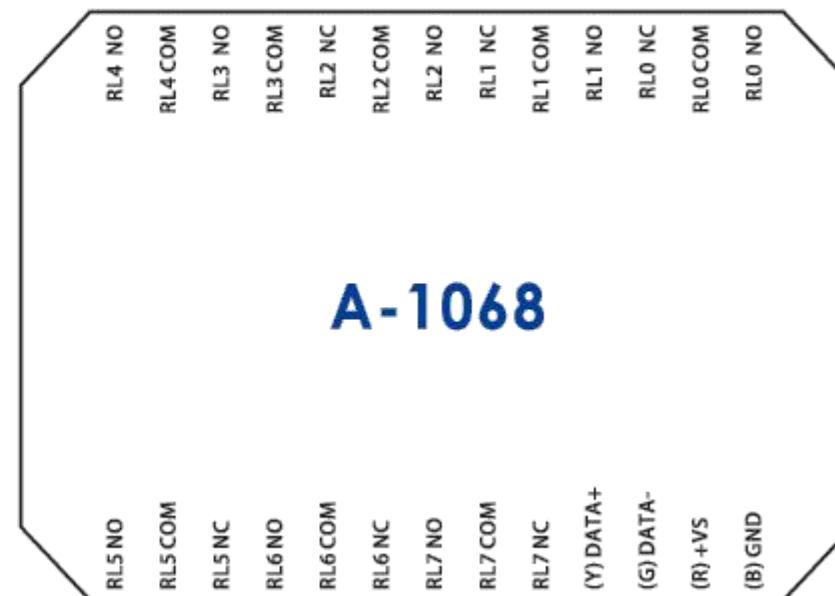
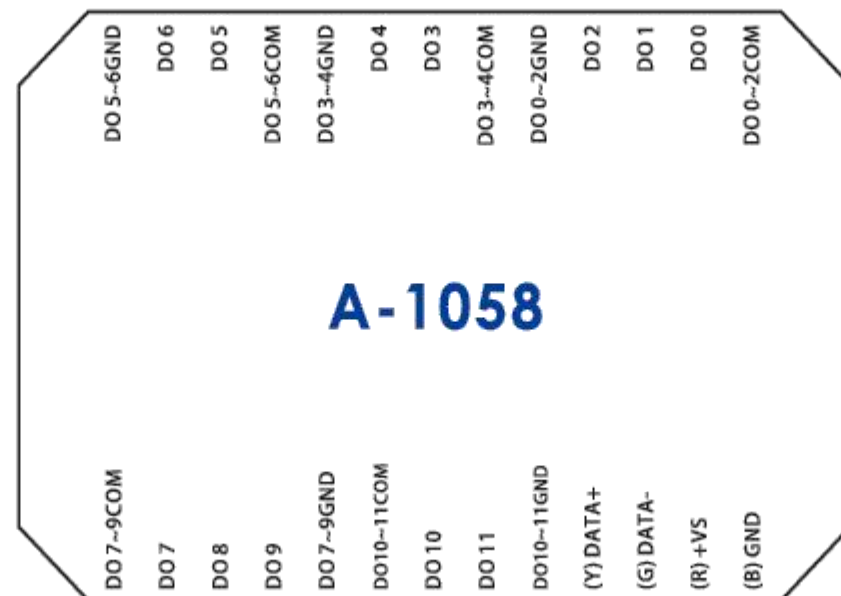
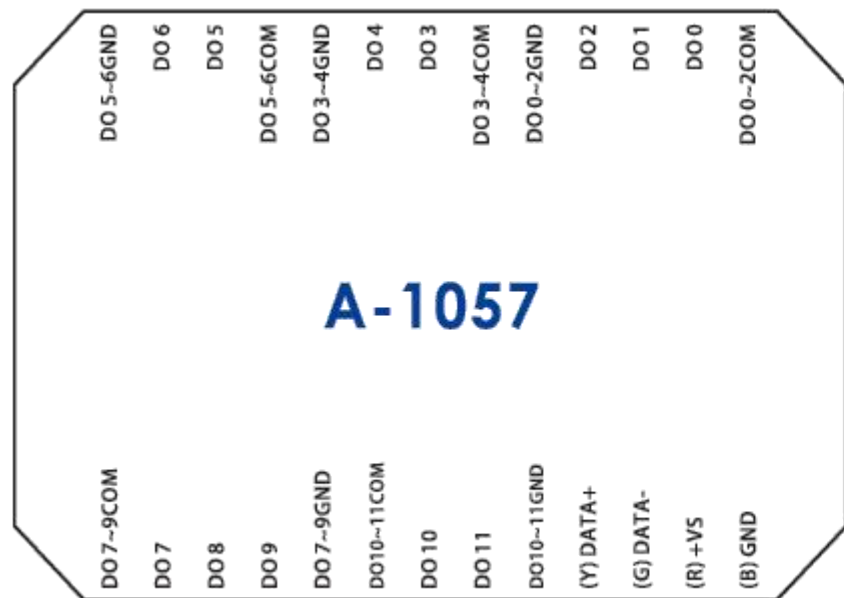
Part No.	A-1019		A-1012		A-1010
Operation Voltage	10 ~ 30VDC/24VAC		10 ~ 30VDC/24VAC		10 ~ 30VDC/24VAC
Inputs	4	Status Low: <1VDC Status High: >5~30VDC	2	Status Low: <1VDC Status High: >5~30VDC	—
Outputs	—		2, Source Transistor		4, Sink Transistor
Continuous Current	—		10 ~ 35VDC(1A)		10 ~ 40VDC(200mA)
Communication Baud Rate	2400 ~ 921600bps				
Protocol	MODBUS RTU / MODBUS ASCII				
Data Bits	8 Bits				
Parity	Odd Parity / Even Parity / None				
Stop Bit	1/2 Bit				
Isolation	YES (5000VDC)				
Input Operating Frequency	10Hz				
Output Operating Frequency	Transistor: 10Hz				
Analog Inputs	8 (16 bit)		4 (16 bit)		8 (10 bit)
Analog Input Type	0/4~20mA,J,K,T,E,R,S,B,Thermistor(-270 ~ +1800 °C)		2*0/4-20mA + 2*PT100/1000(-200 ~ +600 °C)		0 ~ 10V
Analog Outputs	—		2 (12 bit)		2 (10 bit)
Analog Output Type	—		0/4-20mA		0 ~ 10V
Input Impedance	Current: 100Ω / Voltage: 10MΩ		Current: 100Ω / RTD: 10MΩ		Voltage: 10MΩ
Analog Input / Output Accuracy	±0.1% / —		±0.1% / ±1%		±1% / ±1%
Communication Interface	RS-485 + USB			RS-485	
Channel Independent Configuration	Yes				
Sampling Rate	10 sample/second (Total)				
CMR @ 50/60 Hz	120 dB				
Span Drift	±50 ppm/°C				
Zero Drift	±18 μV/°C				
Temperature Ranges	(PT-100:-200~+600°C) (PT-1000:-200~+600°C) (J:-210~760°C) (K:-270~1,370°C) (T:-270~400°C) (E:-270~1,000°C) (R:0~1,750°C) (S:0~1,750°C) (B:0~1,800°C) (Thermistor-10K-T2:0~100°C) (Thermistor-10K-T3:0~100°C) (Thermistor-6.8K:-10~100°C) (Thermistor-4.7K:-10~100°C) (Thermistor-3.3K:-20~100°C) (Thermistor-3K:-20~100°C) (Thermistor-2.7K:-20~100°C) (Thermistor-2.252K:-20~100°C) (Thermistor-2.1K:-30~100°C) (Thermistor-2K:-30~100°C) (Thermistor-1.5K:-40~100°C) (Thermistor-1K:-40~100°C)				
Operation Temperature	-20 to +75°C				
Degree Of Protection	IP20				
Installation	35 mm DIN rail / Flush mounting				
Dimension (W×H×D)	76.4*118.2*38.5 mm				

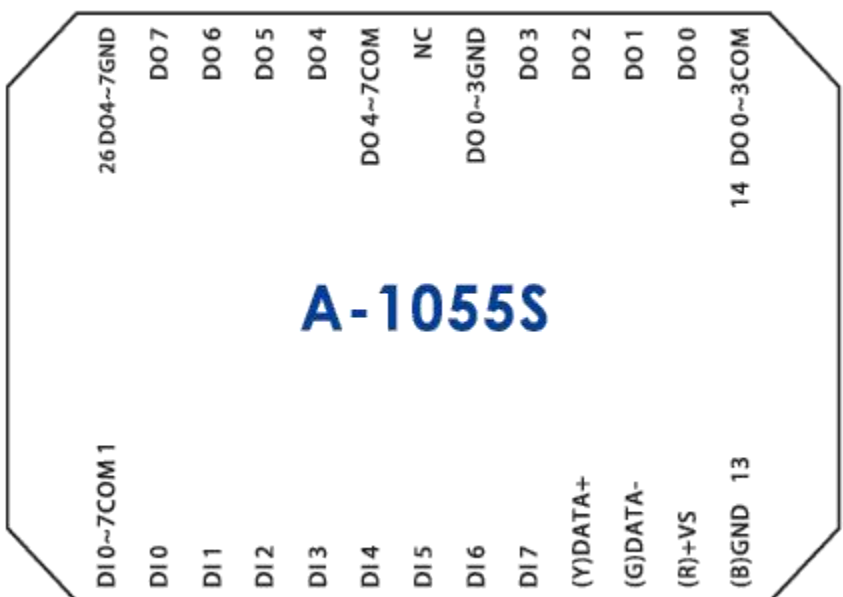
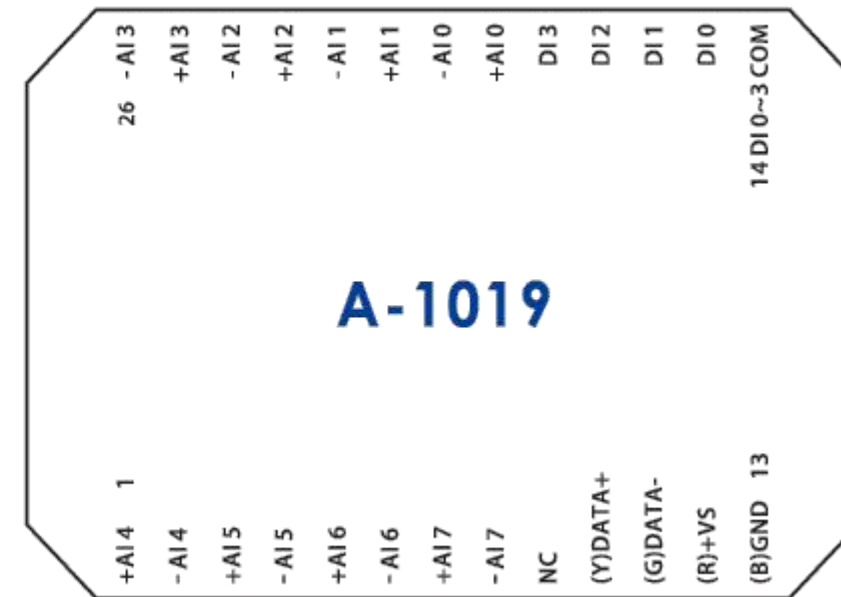
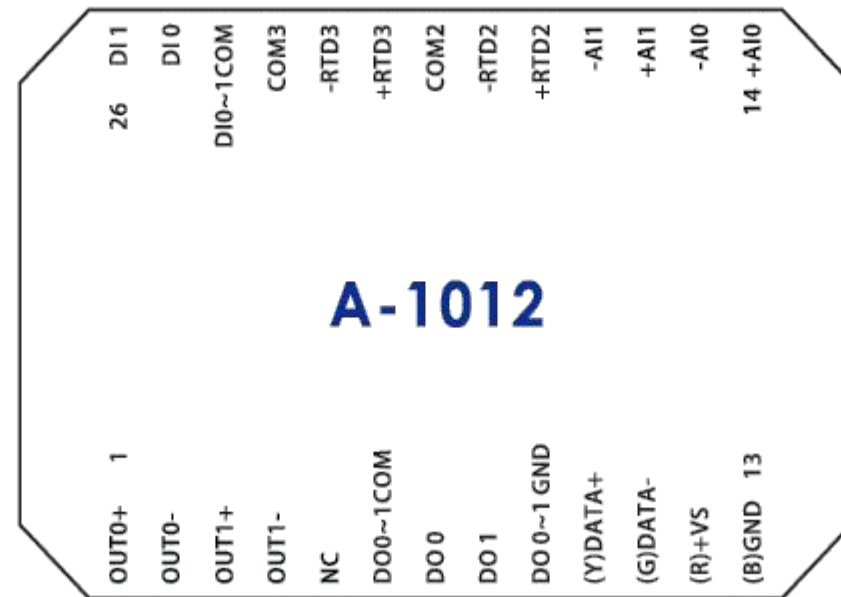
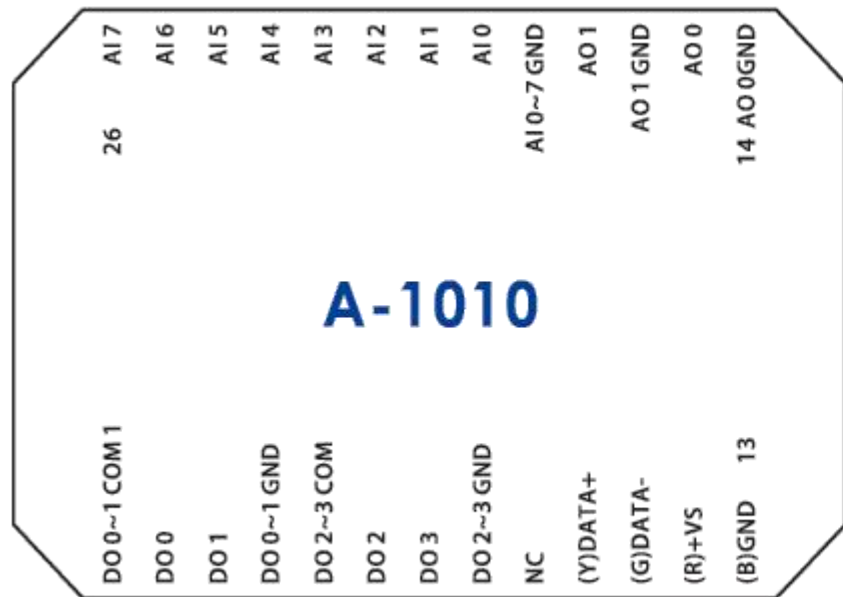


■ Dimension:

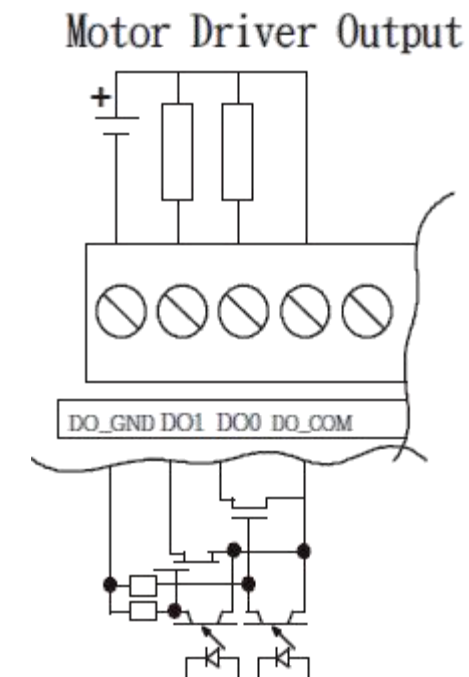
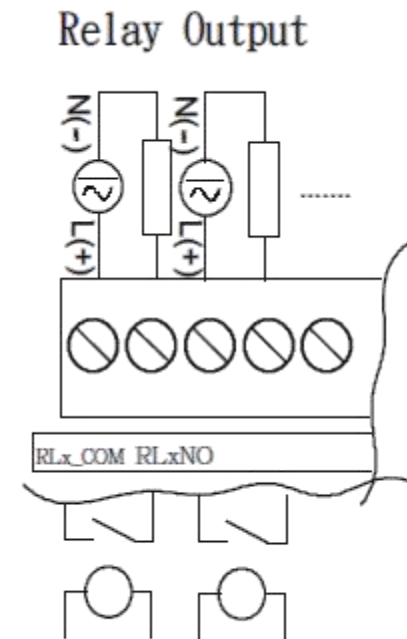
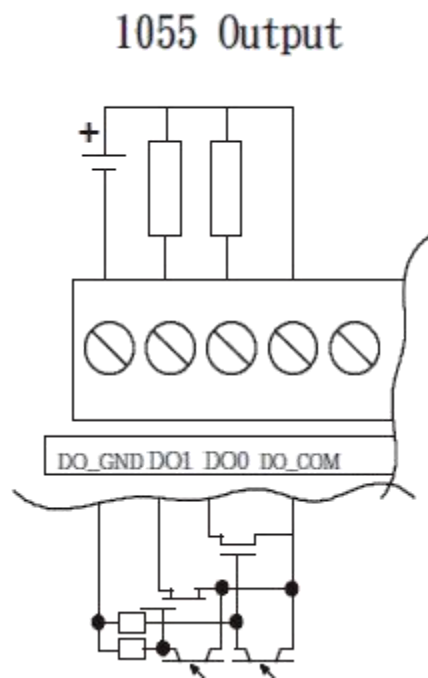
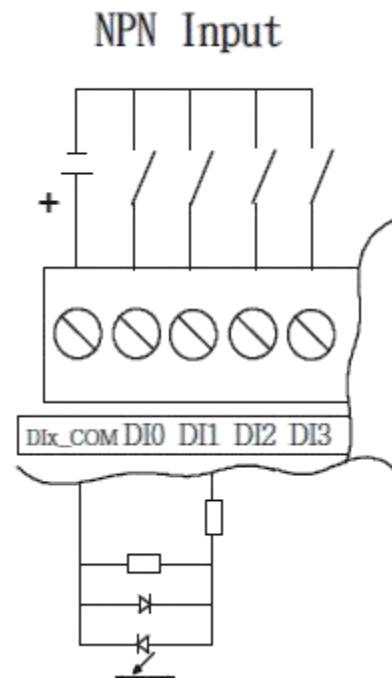
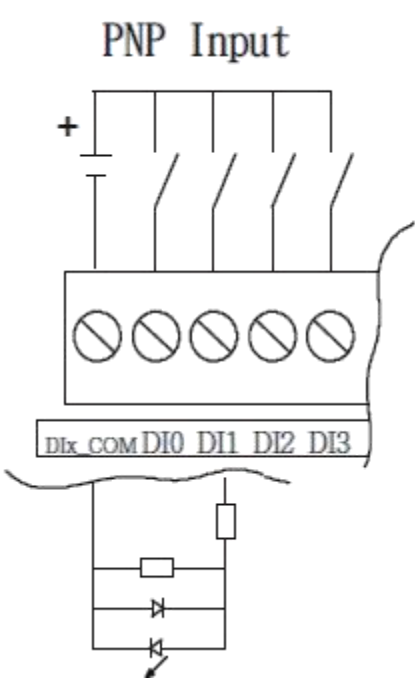


■ Pin Table:

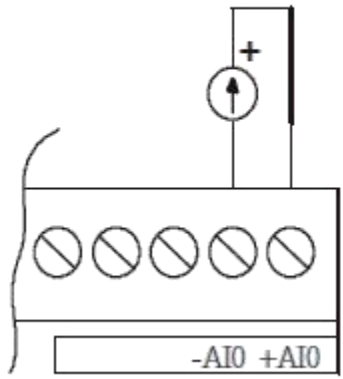




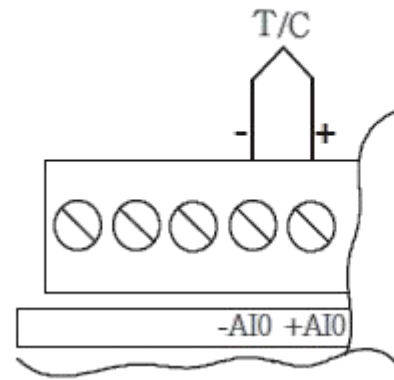
■ Wiring Diagrams & Pin Out



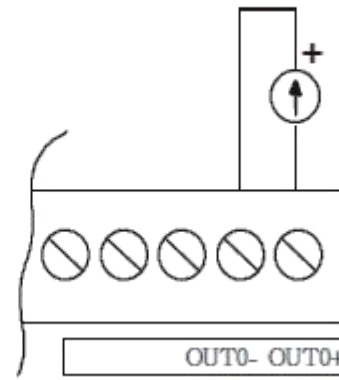
Current Input



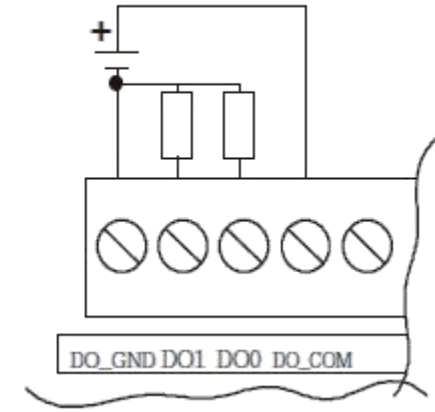
Thermocouple Input



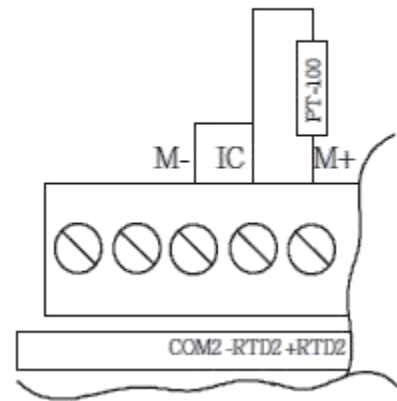
Current Output



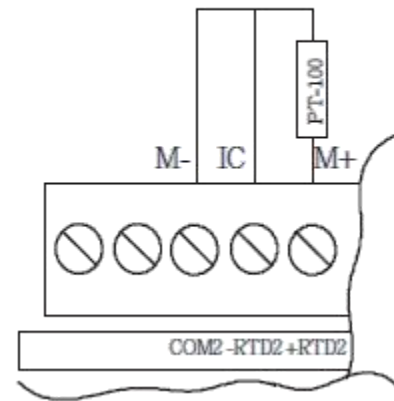
1055S/1012/1212 Output



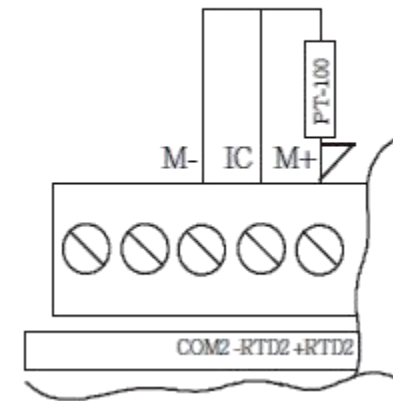
2-wire RTD Input



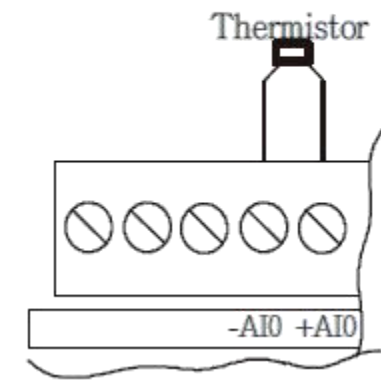
3-wire RTD Input



4-wire RTD Input



Thermistor Input



Contact us

Shenzhen ATC Technology Co., Ltd
 Room 803, Block B, Building 4, Tian'an Cyber Park, Longgang District, Shenzhen, China, 518172
 Tel: +86-755 - 8345 2531 / 8345 3318 Fax: +86-755-2899 8985
 Website: www.szatc.com E-mail: sales@szatc.com